

TS 60

Reservdelar

Spare parts

Ersatzteile

Pieces de rechange

Piezas de repuesto

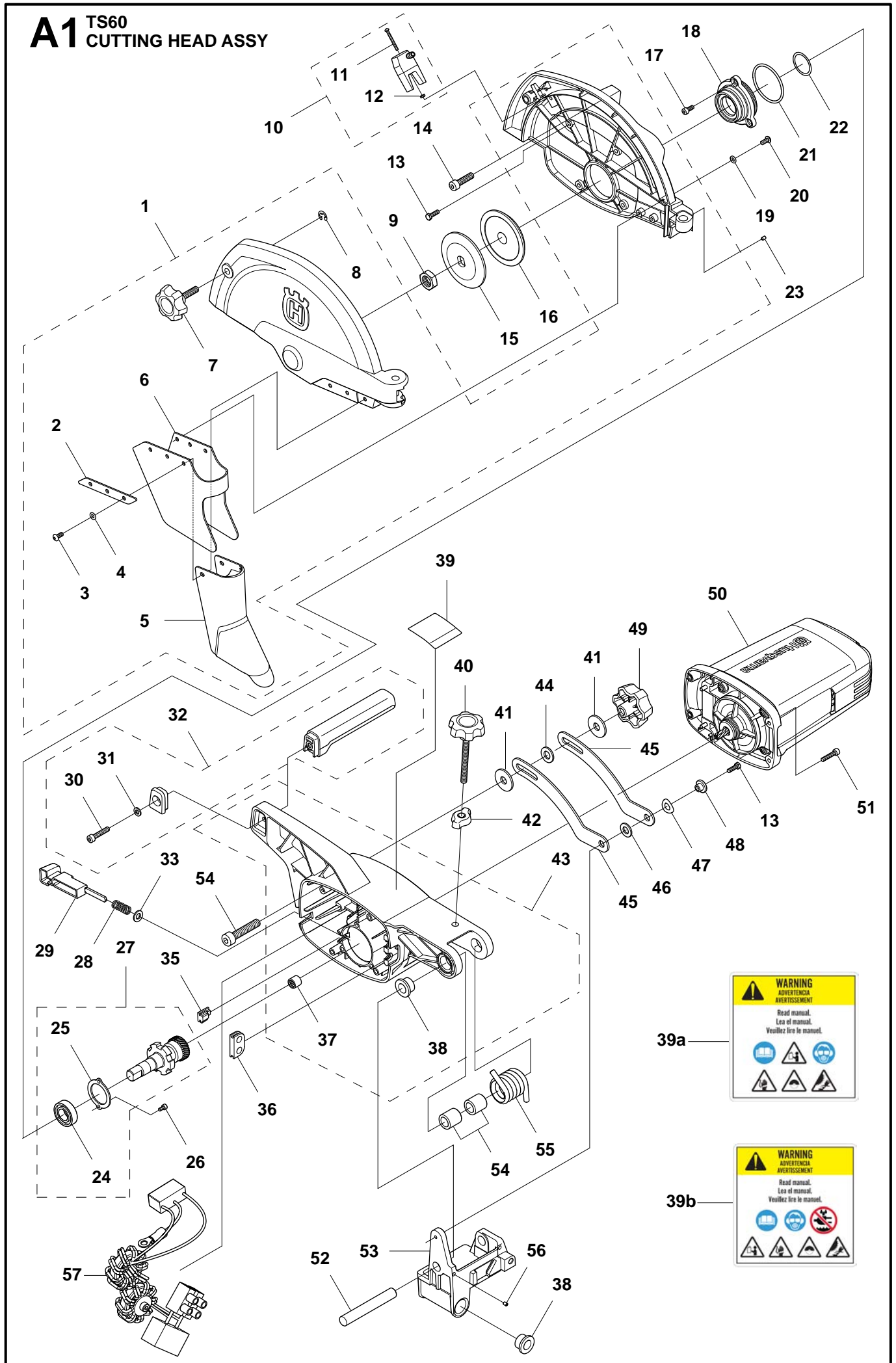
Ricambi

Peças sobresselente

75	Page	Description	Part No.	Page	Description
501 00 83-01	B	SEAL	525 60 54-01	A1	BEARING
501 00 84-01	B	WASHER	525 60 57-01	A1	SEAL
503 23 04-02	B	WASHER	525 63 79-01	B	CAP
503 26 30-03	B	O-RING	525 80 52-01	A1	MOTOR
506 22 58-03	B	CARBON BRUSH	525 81 45-01	A2	CABLE
510 18 13-04	A2	CABLE	525 82 53-01	F	TUBE
510 22 54-01	E	CART	525 82 56-01	F	PUMP
510 22 54-12	E	ROLLER	525 83 53-02	B	HOLDER
510 22 54-14	C	WATER PAN	541 40 50-36	D	LEVEL BUBBLE
510 22 54-15	C	REAR SPLASH GUARD	544 12 30-01	B	BEARING SUPPORT
510 22 54-18	D	COVER	544 44 65-01	B	MAGNET
510 22 54-19	D	CAP	546 68 23-01	A1	NUT
510 22 54-22	A2	SUPPORT ARM	549 17 68-01	C	PLUG
510 22 54-25	A2	COVER	574 45 05-01	A1	GASKET
510 22 54-26	A2	COVER	574 62 67-01	A1	BUSHING
510 22 54-27	D	WHEEL	574 63 67-01	A1	WASHER
510 22 54-28	D	PIN	574 85 09-02	A1	KNOB
510 22 54-29	D	BRACKET	574 85 11-02	A1	A2G KNOB
510 22 54-30	A2	PLATE	574 85 11-03	G	KNOB
510 22 54-33	A1	SWIVEL	574 87 63-02	A1	KNOB
510 22 54-34	A2	PIN	575 33 53-01	B	SCREW
510 22 54-35	A1	PIN	575 33 53-02	A1	B SCREW
510 22 54-36	D	PAD	575 63 64-01	A1	INNER FLANGE
510 22 54-37	G	WRENCH	575 63 68-01	A1	OUTER FLANGE
510 22 54-38	D	RAIL	575 98 49-01	B	BEARING
510 22 54-42	D	CAP	576 13 97-01	A2	HANDLE
510 22 54-43	D	CAP	576 13 98-01	E	SCALE
510 22 54-46	D	CART STOP	576 14 55-02	E	COVER
510 22 54-47	E	HANDLE	576 19 91-03	A1	NOZZLE
510 22 54-51	A1	PLATE	576 42 18-01	B	HOUSING
510 22 54-61	A1	SPLASH GUARD	576 43 41-01	A2	CABLE ASSY
510 22 54-62	A1	SPLASH GUARD	576 43 41-02	A2	CABLE ASSY
510 22 54-63	A1	BRACKET	576 87 91-01	D	DECAL
510 22 54-64	D	BRACKET	577 50 73-01	B	BRUSH HOLDER
510 22 54-67	E	BRACKET	577 73 58-01	D	CAP
510 22 54-72	A2	COVER	577 81 68-01	C	FRONT SPLASH GUARD
510 24 52-50	D	CART STOP	577 81 69-01	H	CLAMP
521 91 59-01	E	MANIFOLD	577 81 83-01	H	BUTTON
521 92 21-01	E	GASKET	577 84 71-01	C	SLEEVE
521 92 94-01	A1	SPACER	577 85 80-01	A2	CLAMP
			577 90 60-01	E	PAD
522 45 73-13	H	HINGE	577 91 35-01	A1	WASHER
522 45 73-19	H	LEG	577 93 51-01	E	SPRING
522 46 84-04	E	CART	578 36 13-01	F	IMPELLER
522 46 84-10	A1	BLADE GUARD	578 86 42-01	A1	HANDLE
522 46 84-11	D	VALVE	578 86 45-02	B	SWITCH KIT
522 46 84-17	A1	ARM	578 86 45-03	B	SWITCH KIT
522 46 95-01	G	GUIDE	578 86 45-04	B	SWITCH KIT
522 46 95-06	G	GUIDE	578 86 48-01	D	VALVE KIT, ADAPTER
522 46 95-13	G	GUIDE	578 90 58-01	D	RAIL
522 73 07-01	D	VALVE	578 90 59-01	D	FRAME
522 77 44-03	A1	H KNOB	578 90 61-01	H	STAND
522 94 62-01	A1	BUSHING	578 98 10-01	A2	DECAL
522 94 63-01	A1	SPRING	578 98 10-02	A2	DECAL
522 95 70-03	A1	SCREW	579 05 89-01	A1	DECAL
523 02 26-01	A1	BUTTON	579 06 61-01	A2	DECAL
523 02 29-01	A1	PLATE	579 06 61-02	A2	DECAL
523 02 33-01	B	AIR CONDUCTOR	579 07 15-01	E	TRAY
523 02 36-02	B	ROTOR	579 07 16-01	E	BAR
523 02 37-02	B	STATOR	579 07 17-01	E	KNOB
523 02 43-01	A1	SPRING			
523 03 09-01	A1	BEARING HOUSING	580 85 87-01	B	SWITCH
523 03 11-01	B	COVER	580 85 87-02	B	SWITCH
523 05 21-01	B	COVER	580 90 05-01	A1	EMC FILTER
523 05 22-01	B	COVER	580 91 77-01	A2	CABLE
523 05 40-01	A1	BUSHING	580 91 77-02	A2	CABLE
523 05 42-01	B	O-RING	580 91 77-03	A2	CABLE
525 47 63-02	B	SCREW	580 91 81-01	A2	CABLE
525 47 63-03	BC	SCREW	581 01 43-01	A1	DECAL
525 47 63-04	B	SCREW	581 01 43-02	A1	DECAL
525 53 45-01	A1	O-RING	581 02 96-01	B	ROTOR

Part No.	Page	Description	Part No.	Page	Description
581 02 98-01	B	STATOR			
581 09 56-01	F	PUMP			
581 09 56-02	F	PUMP			
581 11 34-01	A1	SHAFT			
581 11 41-01	A1	SEAL			
581 14 21-01	B	HOLDER			
581 17 83-01	B	LEVER ASSY			
724 11 62-51	G	SCREW CRPANM			
724 11 91-51	E	SCREW			
724 12 34-01	A1	SCREW			
724 13 25-51	G	SCREW CRPANM			
725 23 25-71	D	SCREW			
725 23 27-71	DE	SCREW			
725 23 29-71	A1	DE SCREW			
725 23 31-71	E	SCREW			
725 23 66-71	A2	SCREW			
725 24 64-51	H	SCREW			
725 52 85-01	B	SCREW			
725 52 87-01	A1	SCREW			
725 52 89-01	B	SCREW			
725 52 91-01	B	SCREW			
725 53 23-01	DE	SCREW			
725 53 27-01	A1A2D	SCREW			
725 53 47-55	B	SCREW			
725 53 74-01	A1	SCREW			
725 54 55-21	A1	SCREW			
725 55 00-21	A2	SCREW			
728 53 23-01	E	SCREW			
728 82 85-01	A1	SCREW			
728 82 85-01	A2	SCREW			
729 53 40-01	E	SCREW			
731 11 46-01	E	WASHER			
731 23 10-01	A1	NUT			
731 43 16-01	G	HEXAGON THIN NUT			
732 25 18-01	H	NUT			
734 11 46-01	A2	D WASHER			
734 11 46-09	A1	WASHER			
734 11 52-01	A1	A2 WASHER			
734 11 63-01	A1	H WASHER			
734 11 65-41	A1	A2 WASHER			
734 11 72-01	A1	H WASHER			
735 11 36-50	B	WASHER			
735 21 36-01	B	WASHER			
735 31 12-01	D	SNAP RING			
735 31 12-21	A1	CLIP			
735 31 28-10	B	CIRCLIP			

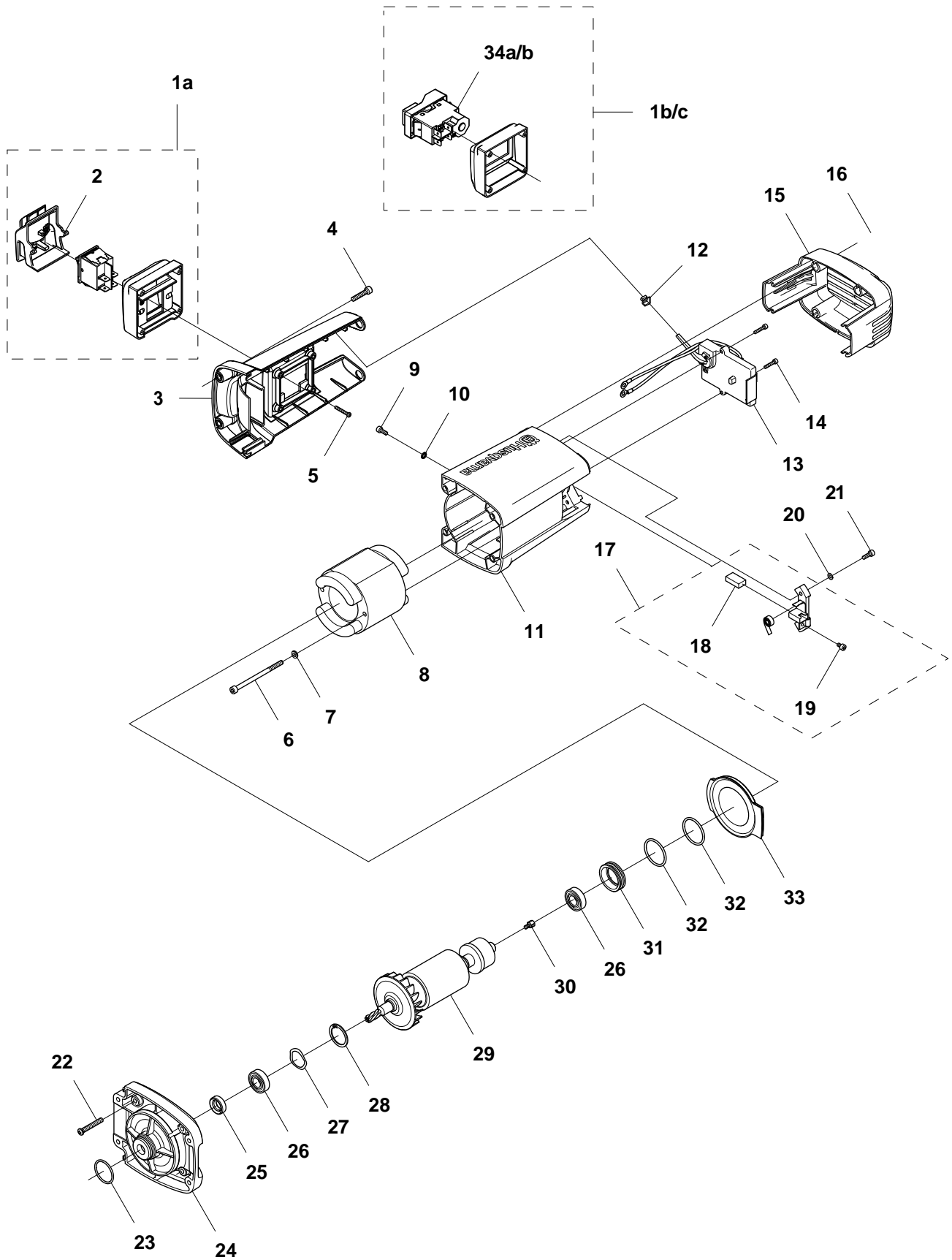
A1 TS60 CUTTING HEAD ASSY



Pos	Part No.	Description	Quantity	Notes	Kit
1	522 46 84-10	BLADE GUARD	1	KIT	
2	510 22 54-51	PLATE	1		1
3	522 95 70-03	SCREW	6		1
4	734 11 46-09	WASHER	6		1
5	510 22 54-61	SPLASH GUARD	1	REAR	1
6	510 22 54-62	SPLASH GUARD	1	SIDE	1
7	574 85 11-02	KNOB	1		1
8	735 31 12-20	CLIP	1		1
9	576 68 23-01	NUT	1		
10	576 19 91-03	NOZZLE	1	KIT	
11	724 12 34-01	SCREW	1		10
12	731 23 10-01	NUT	1		10
13	725 23 29-71	SCREW	4		
14	725 54 55-21	SCREW	1		
15	575 63 68-01	OUTER FLANGE	1		
16	575 63 64-01	INNER FLANGE	1		
17	725 53 27-01	SCREW	3		
18	523 03 09-01	BEARING HOUSING	1		
19	734 11 46-09	WASHER	6		
20	522 95 70-03	SCREW	6		
21	525 53 45-01	O-RING	1		
22	574 46 05-01	GASKET	1		
23	728 82 85-01	SCREW	1		
24	525 60 54-01	BEARING	1		26
25	523 02 29-01	PLATE	1		26
26	725 52 87-01	SCREW	2		
27	581 11 34-01	SHAFT	1	OUTPUT ASSY	
28	523 02 43-01	SPRING	1		
29	523 02 26-01	BUTTON	1		
30	725 53 74-01	SCREW	1		32
31	734 11 52-01	WASHER	1		32
32	578 86 42-01	HANDLE	1	KIT	
33	734 11 65-41	WASHER	1		
34	725 54 55-21	SCREW	1		
35	581 11 41-01	SEAL	1		
36	525 60 57-01	SEAL	1		
37	523 05 40-01	BUSHING	1		43
38	522 94 62-01	BUSHING	2		43
39a	581 01 43-01	DECAL	1		
39b	581 01 43-02	DECAL		ONLY FOR CANADA	
40	574 87 63-02	KNOB	1		
41	577 91 35-01	WASHER	2		
42	522 77 44-03	KNOB	1		
43	522 46 84-17	ARM	1	KIT	
44	734 11 65-41	WASHER	1		
45	510 22 54-63	BRACKET	2		
46	734 11 72-01	WASHER	1		
47	574 63 67-01	WASHER	1		
48	574 62 67-01	BUSHING	1		
49	574 85 09-02	KNOB	1		
50	525 80 52-01	MOTOR	1		
51	575 33 53-02	SCREW	6		
52	510 22 54-35	PIN	1		
53	510 22 54-33	SWIVEL	1		
54	521 92 94-01	SPACER	2		
55	522 94 63-01	SPRING	1		
56	728 82 85-01	SCREW	2		
57	580 90 05-01	EMC FILTER	1	KIT (NOT UL)	

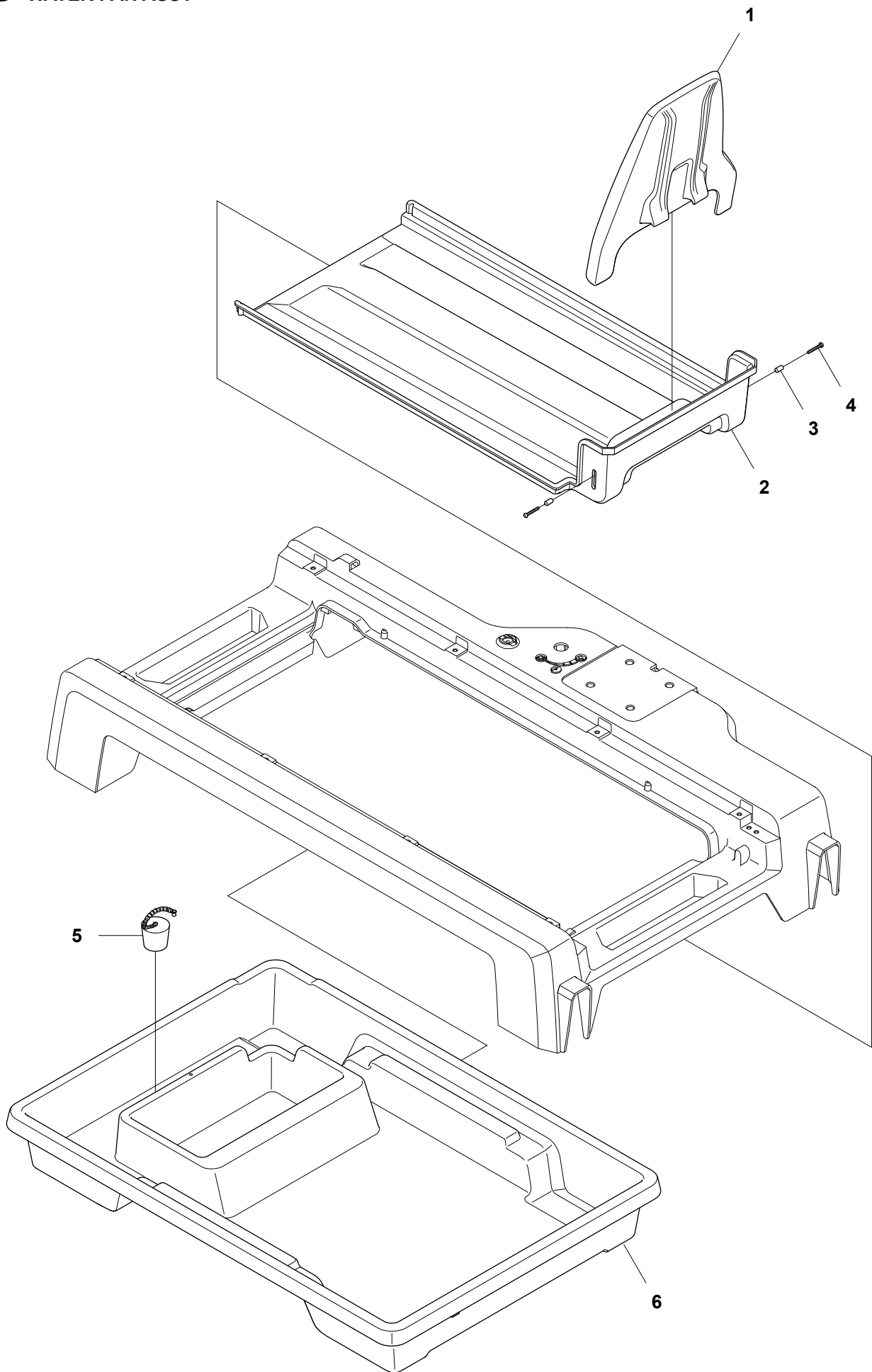
Pos	Part No.	Description	Quantity	Notes	Kit
1a	578 98 10-01	DECAL	1		
1b	578 98 10-02	DECAL	1	CANADA	
2	510 22 54-22	SUPPORT ARM	1		
3	728 82 85-01	SCREW	1		
4	510 22 54-72	COVER	1		
5	725 55 00-21	SCREW	4		
6	510 22 54-25	COVER	1		
7	734 11 46-01	WASHER	12		
8	725 53 27-01	SCREW	12		
9a	579 06 61-01	DECAL	1		
9b	579 06 61-02	DECAL	1	CANADA	
10	576 13 97-01	HANDLE	1		
11	510 22 54-26	COVER	1		
12	510 22 54-34	PIN	1		
13	510 22 54-30	PLATE	1		
14	734 11 65-41	WASHER	1		
15	574 85 11-02	KNOB	1		
16	734 11 52-01	WASHER	2		
17	725 23 66-71	SCREW	2		
18a	525 81 45-01	CABLE	1	UL	
18b	580 91 81-01	CABLE	1	CE	
19a	510 18 13-04	CABLE	1	UL	
19b	580 91 77-01	CABLE	1	EU	
19c	580 91 77-02	CABLE	1	UK	
19d	580 91 77-03	CABLE	1	CANADA	
20	576 43 41-01	CABLE ASSY	1	BLUE	
21	576 43 41-02	CABLE ASSY	1	BROWN	
22	577 85 80-01	CLAMP	1		
23	725 52 89-01	SCREW	2		

B TS60
MOTOR



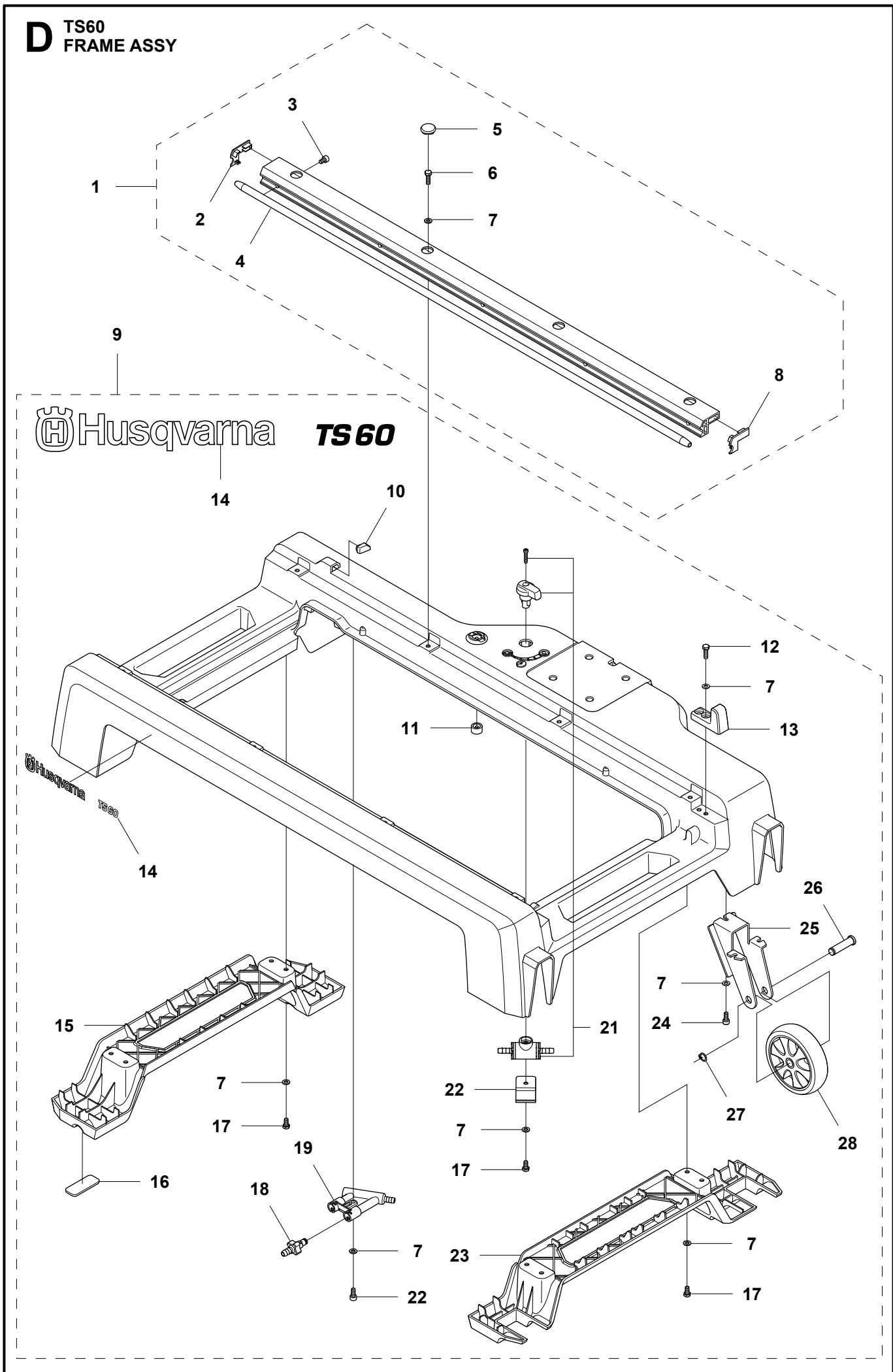
Pos	Part No.	Description	Quantity	Notes	Kit
1a	578 86 45-02	SWITCH KIT	1	UL	
1b	578 86 45-03	SWITCH KIT	1	230V CE	
1c	578 86 45-04	SWITCH KIT	1	120V CE	
2	581 17 83-01	LEVER ASSY	1		1
3	523 05 22-01	COVER	1		
4	575 33 53-02	SCREW	6		
5	525 47 63-03	SCREW	4		
6	725 53 47-55	SCREW	2		
7	503 23 04-02	WASHER	2		
8a	581 02 98-01	STATOR	1	120V	
8b	523 02 37-02	STATOR	1	230V	
9	725 52 89-01	SCREW	2		
10	735 21 36-01	WASHER	2		
11	576 42 18-01	HOUSING	1		
12	525 63 79-01	CAP	1		
13a	581 14 21-01	HOLDER	1	120V	
13b	525 83 53-02	HOLDER	1	230V	
14	525 47 63-04	SCREW	2		
15	523 05 21-01	COVER	1		
16	575 33 53-01	SCREW	4		
17	577 50 73-01	BRUSH HOLDER	2		
18	506 22 58-03	CARBON BRUSH	2		17
19	725 52 85-01	SCREW	2		17
20	735 11 36-50	WASHER	4		
21	725 52 91-01	SCREW	4		
22	525 47 63-02	SCREW	4		
23	523 05 42-01	O-RING	1		
24	523 03 11-01	COVER	1		
25	501 00 83-01	SEAL	1		
26	575 98 49-01	BEARING	2		
27	501 00 84-01	WASHER	1		
28	735 31 28-10	CIRCLIP	1		
29a	581 02 96-01	ROTOR	1	120V	
29b	523 02 36-02	ROTOR	1	230V	
30	544 44 65-01	MAGNET	1		
31	544 12 30-01	BEARING SUPPORT	1		
32	503 26 30-03	O-RING	2		
33	523 02 33-01	AIR CONDUCTOR	1		
34a	580 85 87-01	SWITCH	1	230V CE	1b
34b	580 85 87-02	SWITCH	1	120V CE	1c

C TS60
WATER PAN ASSY



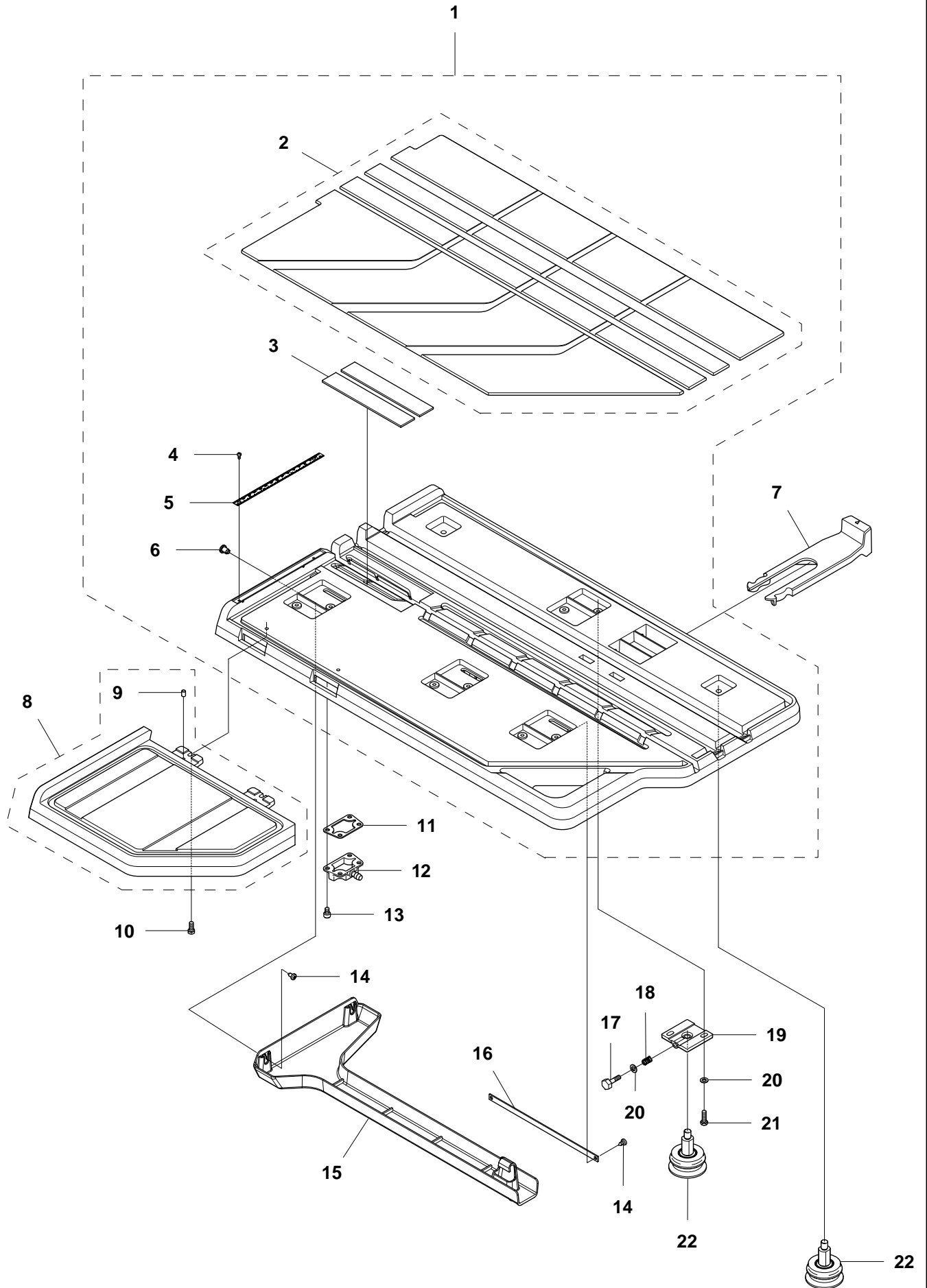
Pos	Part No.	Description	Quantity	Notes	Kit
1	577 81 68-01	FRONT SPLASH GUARD	1		
2	510 22 54-15	REAR SPLASH GUARD	1		
3	577 84 71-01	SLEEVE	2		
4	525 47 63-03	SCREW	2		
5	543 04 60-51	PLUG	1		
6	510 22 54-14	WATER PAN	1		

D TS60
FRAME ASSY



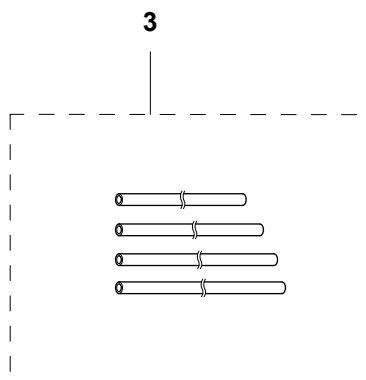
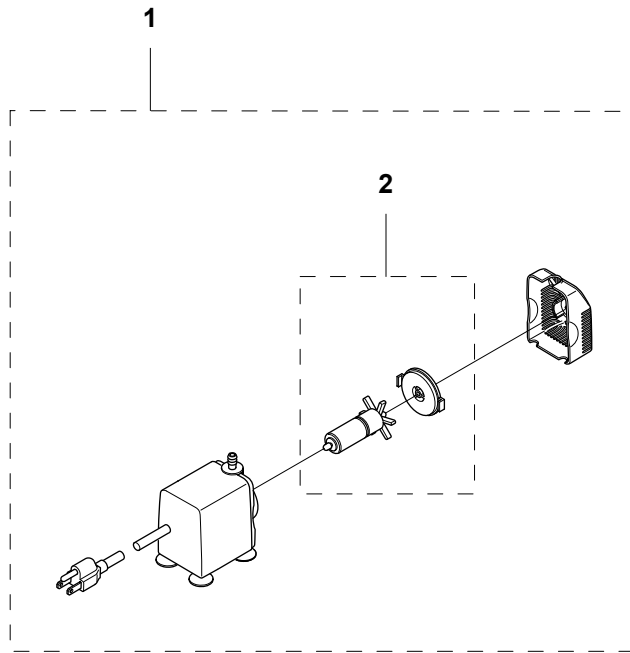
Pos	Part No.	Description	Quantity	Notes	Kit
1	578 90 58-01	RAIL	2	KIT	
2	510 22 54-42	CAP	2		1
3	725 53 23-01	SCREW	10		1
4	510 22 54-38	RAIL	2		1
5	577 73 58-01	CAP	8		1
6	725 23 29-71	SCREW	8		1
7	734 11 46-01	WASHER	28		1
8	510 22 54-43	CAP	2		1
9	578 90 59-01	FRAME	1	KIT	
10	510 22 54-50	CART STOP	1		9
11	541 40 50-36	LEVEL BUBBLE	1		9
12	725 23 29-71	SCREW	12		9
13	510 22 54-46	CART STOP	2		9
14	576 87 91-01	DECAL	2		9
15	510 22 54-18	COVER	1		9
16	510 22 54-36	PAD	4		9
17	725 23 25-71	SCREW	9		9
18	578 86 48-01	VALVE KIT, ADAPTER	2		9
19	522 73 07-01	VALVE	1		9
20	725 23 27-71	SCREW	1		9
21	522 46 84-11	VALVE	1		9
22	510 22 54-64	BRACKET	1		9
23	510 22 54-19	CAP	1		9
24	725 53 27-01	SCREW	6		9
25	510 22 54-29	BRACKET	2		9
26	510 22 54-28	PIN	2		9
27	735 31 12-01	SNAP RING	2		9
28	510 22 54-27	WHEEL	2		9

E TS60 CONVEYOR CART ASSY AND EXTENSION



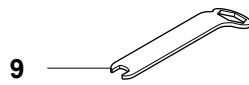
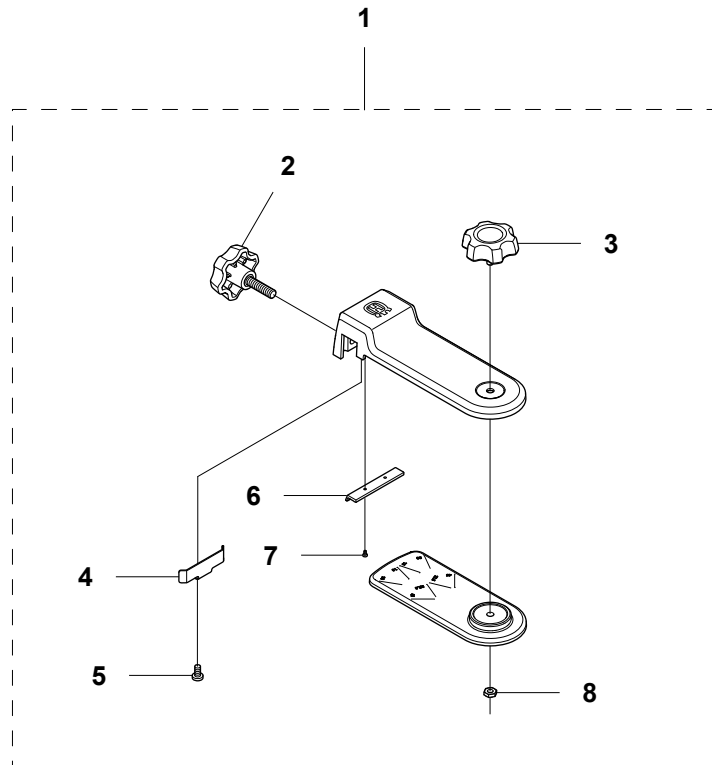
Pos	Part no.	Description	Quantity	Notes	Kit
1	510 22 54-01	CART	1	KIT	
2	578 90 60-01	PAD	1		1
3	576 14 55-02	COVER	2		1
4	724 11 91-51	SCREW	2		1
5	576 13 98-01	SCALE	1		1
6	579 07 17-01	KNOB	2		1
7	510 22 54-47	HANDLE	1		
8	522 46 84-04	CART	1		
9	728 53 23-01	SCREW	2		
10	725 23 27-71	SCREW	2		
11	521 92 21-01	GASKET	1		
12	521 91 59-01	MANIFOLD	1		
13	725 53 23-01	SCREW	4		
14	729 53 40-01	SCREW	4		
15	579 07 15-01	TRAY	1		
16	579 07 16-01	BAR	1		
17	725 23 31-71	SCREW	1		
18	577 93 51-01	SPRING	2		
19	510 22 54-67	BRACKET	2		
20	731 11 46-01	WASHER	12		
21	725 23 29-71	SCREW	8		
22	510 22 54-12	ROLLER	6		

F TS60
WATER PUMP AND TUBE ASSY



Pos	Part No.	Description	Quantity	Notes	Kit
1a	525 82 56-01	PUMP	1	UL	
1b	581 09 56-01	PUMP	1	230V CE	
1c	581 09 56-02	PUMP	1	120V CE	
2	578 36 13-01	IMPELLER	1	KIT	1
3	525 82 53-01	TUBE	1	KIT	

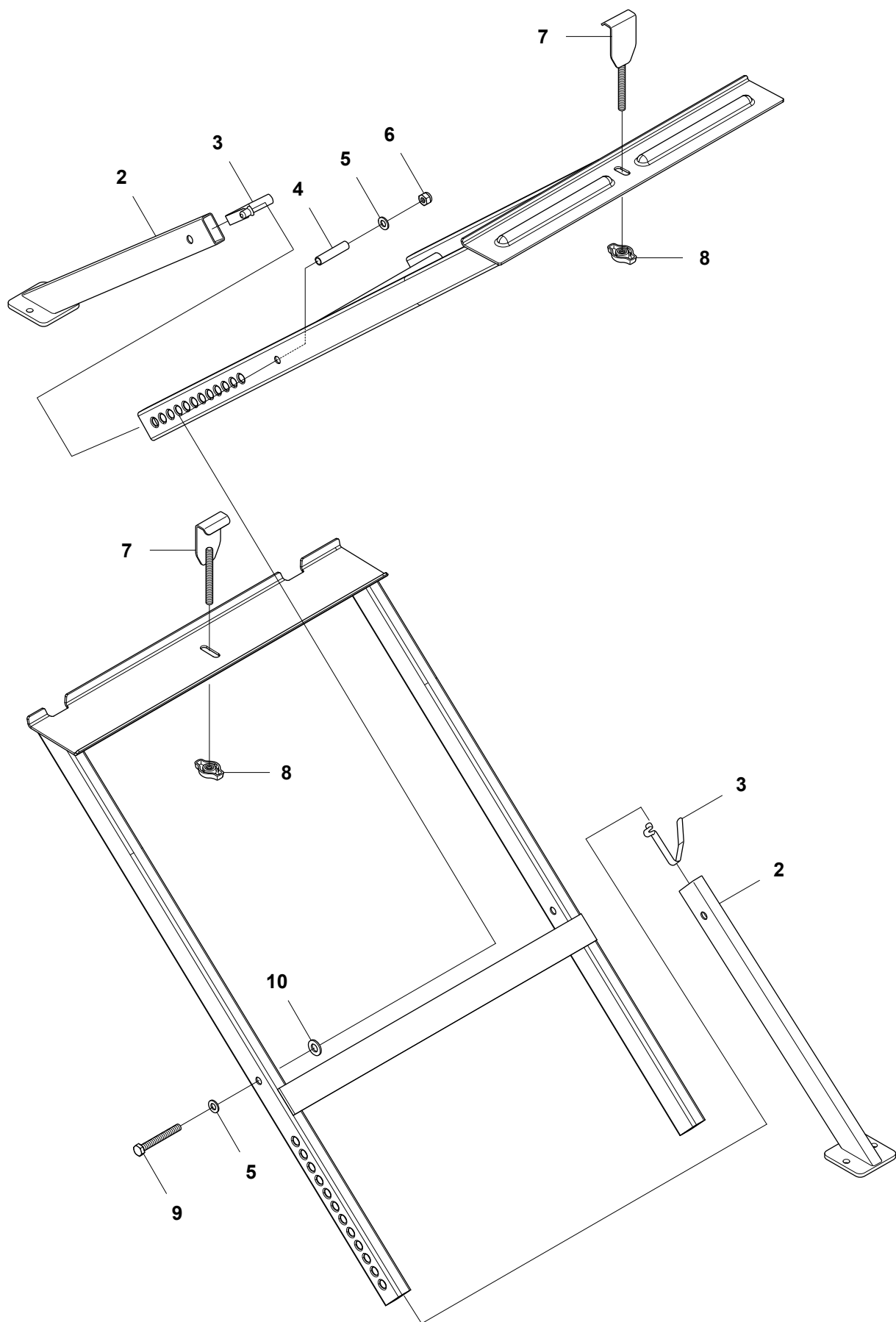
G TS60
TILE SAW ACCESSORIES AND TOOLS (STANDARD)



Pos	Part No.	Description	Quantity	Notes	Kit
1	522 46 95-01	GUIDE	1	KIT	
2	574 85 11-02	KNOB	1		1
3	574 85 11-03	KNOB	1		1
4	522 46 95-06	GUIDE	1		1
5	724 13 25-51	SCREW CRPANM	1		1
6	522 46 95-13	GUIDE	1		1
7	724 11 62-51	SCREW CRPANM	2		1
8	731 43 16-01	HEXAGON THIN NUT	1		1
9	510 22 54-37	WRENCH	1		

H TS60
TILE SAW STAND

1



Pos	Part No	Description	Quantity	Notes	Kit
1	578 90 61-01	STAND	1	Complete	
2	522 45 73-19	LEG	4		1
3	577 81 83-01	BUTTON	4		1
4	522 45 73-13	HINGE	2		1
5	734 11 63-01	WASHER	4		1
6	732 25 18-01	NUT	2		1
7	577 81 69-01	CLAMP	2		1
8	522 77 44-03	KNOB	2		1
9	725 24 64-51	SCREW	2		1
10	734 11 72-01	WASHER	2		1